

This improvement has been declared a LIMITED ACCESS HIGHWAY
 From station 1174+00 to station 1279+88.48 by action of the
 DIRECTOR OF HIGHWAYS and Recorded in Volume 46, Page 1165, of
 the DIRECTORS JOURNAL PURSUANT TO LAW.

CENTER LINE SURVEY PLAT

91

FED. RD.	STATE	PROJECT
2	OHIO	I-77-2(0)58

207
290

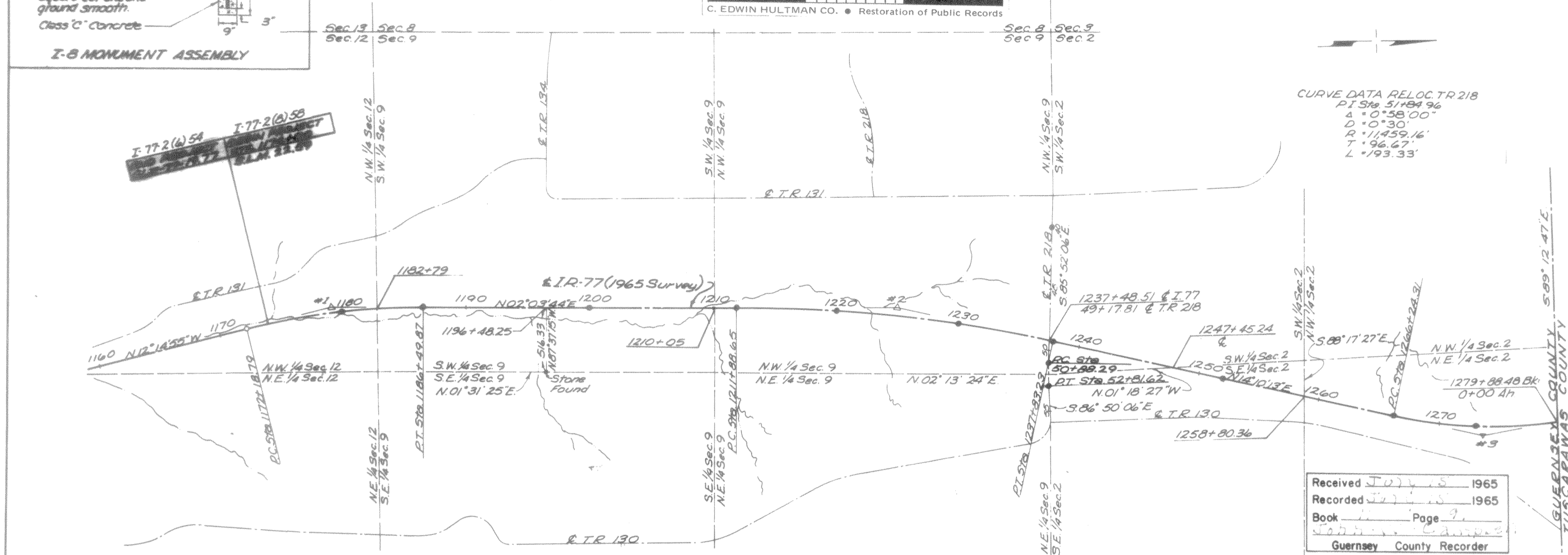
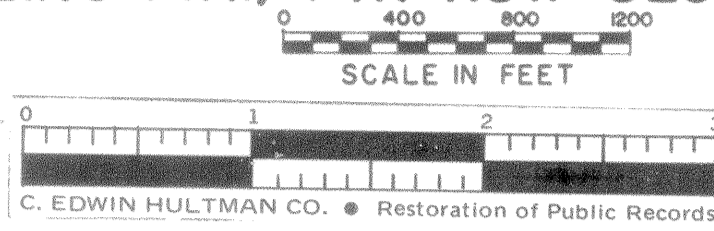
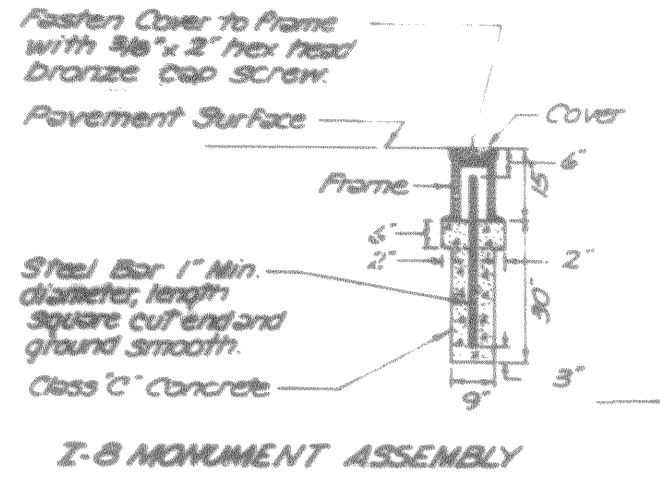
GUE-77-22.59& TUS-77-0.00

GUERNSEY COUNTY, OHIO

WHEELING TWP, T4N-R3W-SECTIONS 2, 9 & 12 (U.S.M.L.)

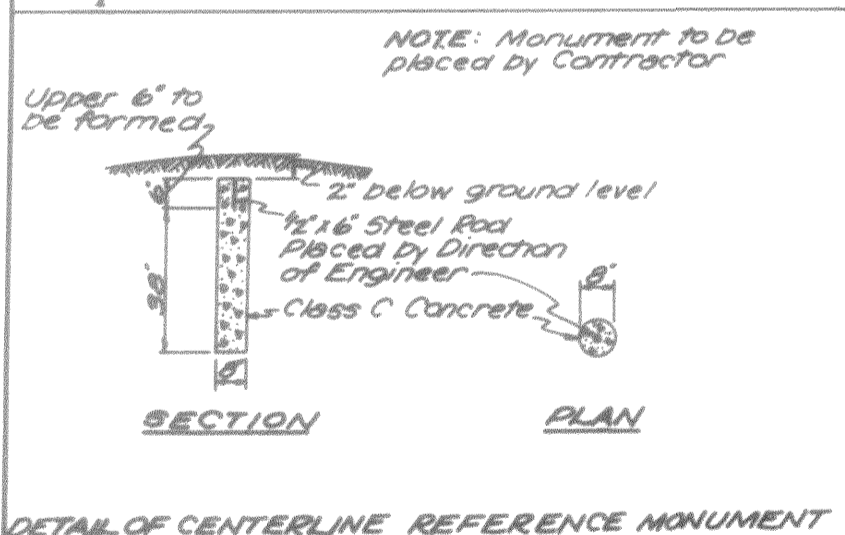
GUE-77-22.59
 TUS-77-0.00
 LIMITED ACCESS

1
24



CURVE DATA RELOC. TR 218
 PI Sta 51184.96
 Δ = 0° 58' 00"
 D = 0° 30'
 R = 11459.16'
 T = 96.67'
 L = 193.33'

Received July 5 1965
 Recorded July 15 1965
 Book _____ Page 9
 Guernsey County Recorder



CURVE DATA I.R. 77

Curve #1	Curve #2	Curve #3
PI Sta 1179+38.07	PI Sta 1224+90.79	PI Sta 1273+93.10
Δ = 14° 18' 39"	Δ = 12° 06' 29"	Δ = 22° 16'
D = 1° 00'	D = 0° 28'	D = 1° 28'
R = 5729.58'	R = 12,277.67'	R = 3906.53'
T = 719.28'	T = 1302.14'	T = 768.79'
L = 14.3108'	L = 2594.58'	L = 1518.18'
E = 44.97'	E = 68.86'	E = 74.93'

TYPICAL	REFERENCE MONUMENT STA.
	POC. STA. 1180+00
	PT. STA. 1186+49.87
Survey 2	POC. STA. 1200+00
	PC. STA. 1211+88.65
Monument	POC. STA. 1220+00
	POC. STA. 1230+00
	PT. STA. 1237+83.23
	TOTAL 10 EACH

I-B MONUMENT ASSEMBLIES	STATIONING	QUANT.	UNIT
POC. STA 40+00 @ RELOC. T.R. 218		1	EACH
PC. STA 50+88.29 @ RELOC. T.R. 218		1	EACH
PT. STA 52+81.62 @ RELOC. T.R. 218		1	EACH
TOTAL		3	EACH

Signed *James T. Holden*
 JAMES T. HOLDEN
 Date 7-12-65 Division Deputy Director

I hereby certify that this plat is a true delineation of a survey made for the OHIO DEPARTMENT OF HIGHWAYS by BEISWENGER, HOCH, & ARNOLD
 Bryan E. McCoy Date 6-22-65
 BRYAN E. MCCOY
 Reg. Surveyor No. 4936