

NOT TO SCALE

CENTERLINE SURVEY PLAT

GUE-265-5.47

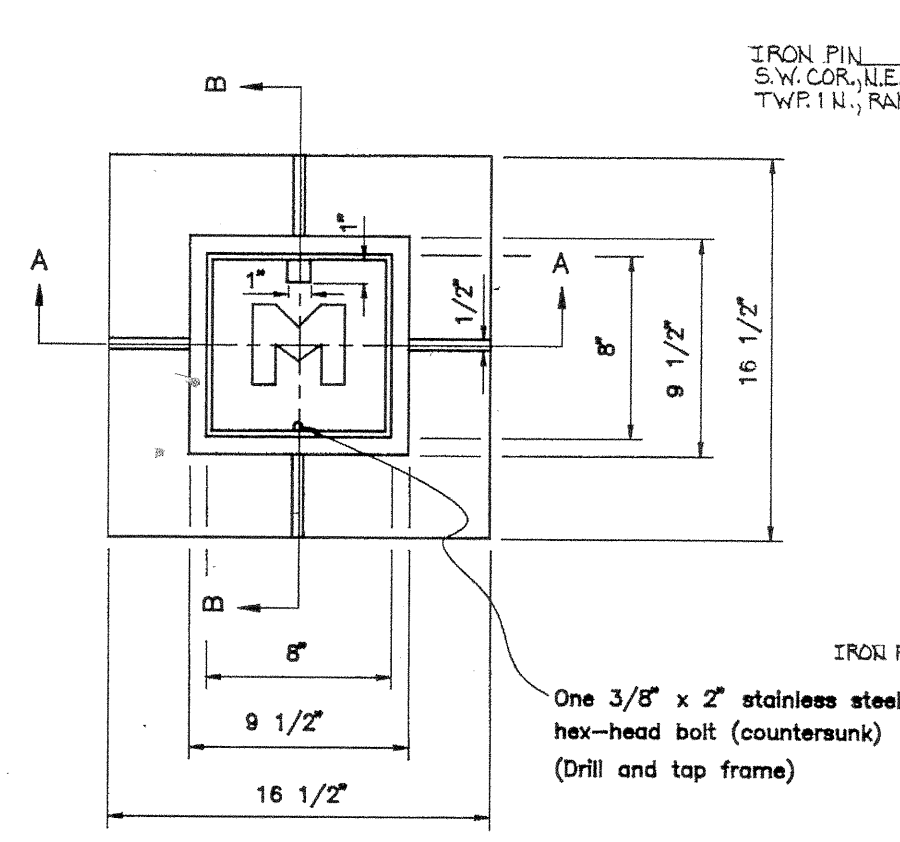
GUERNSEY COUNTY, WILLS TOWNSHIP SEC. 1, T. 1N., R. 2W.

STATE JOB NUMBER	FHWA REGION	STATE	PROJECT
052040	5	OHIO	BRF 859(5)

20
22

GUERNSEY COUNTY
GUE-265-5.47
RIGHT OF WAY PLAN

1
3

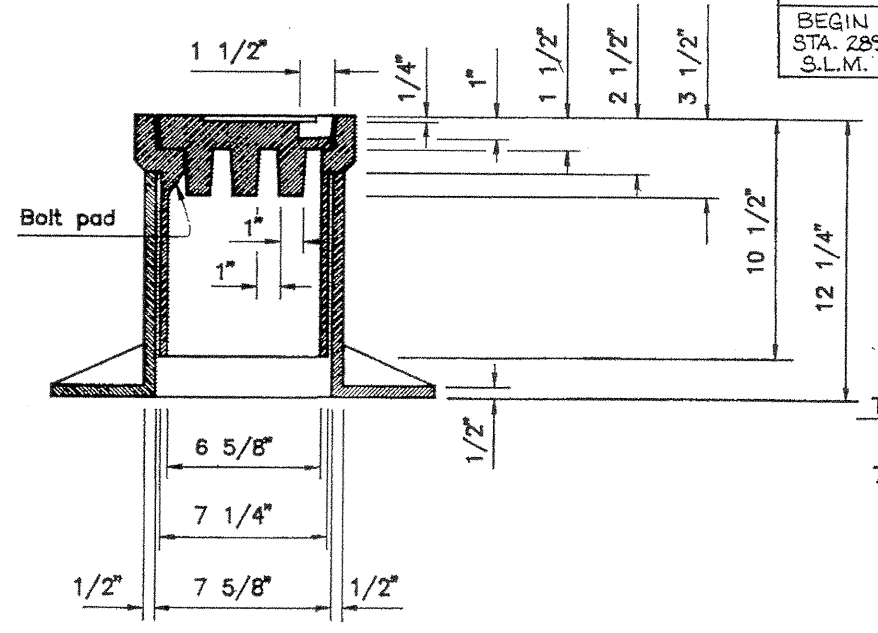
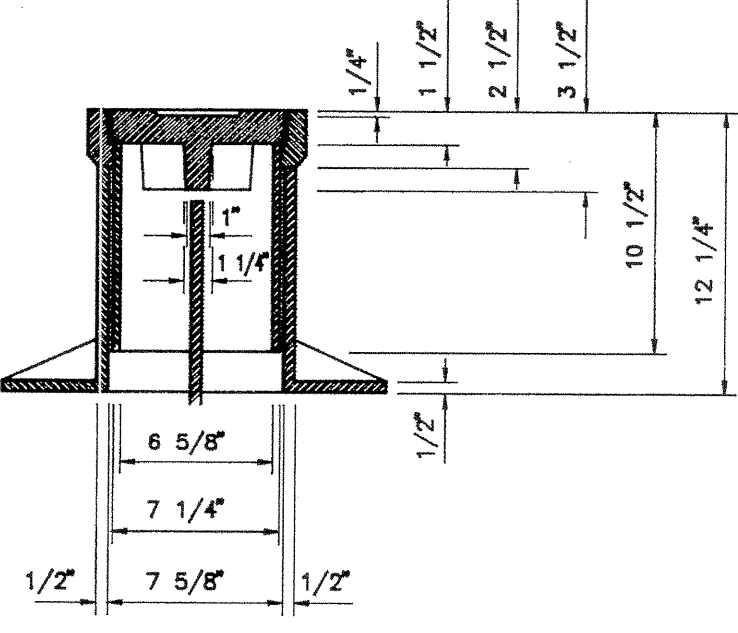
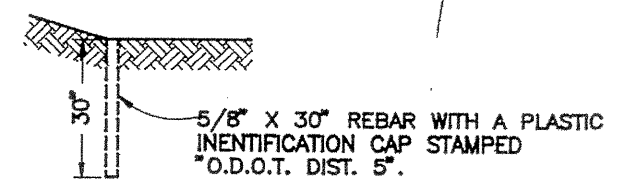


MATERIAL:
1. Gray Iron, A.S.T.M. A98 Class 30
2. Paint: One coat black asphalt

DETAIL OF MONUMENT ASSEMBLY, AS PER PLAN

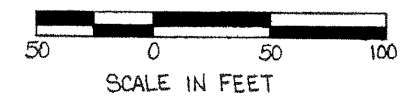
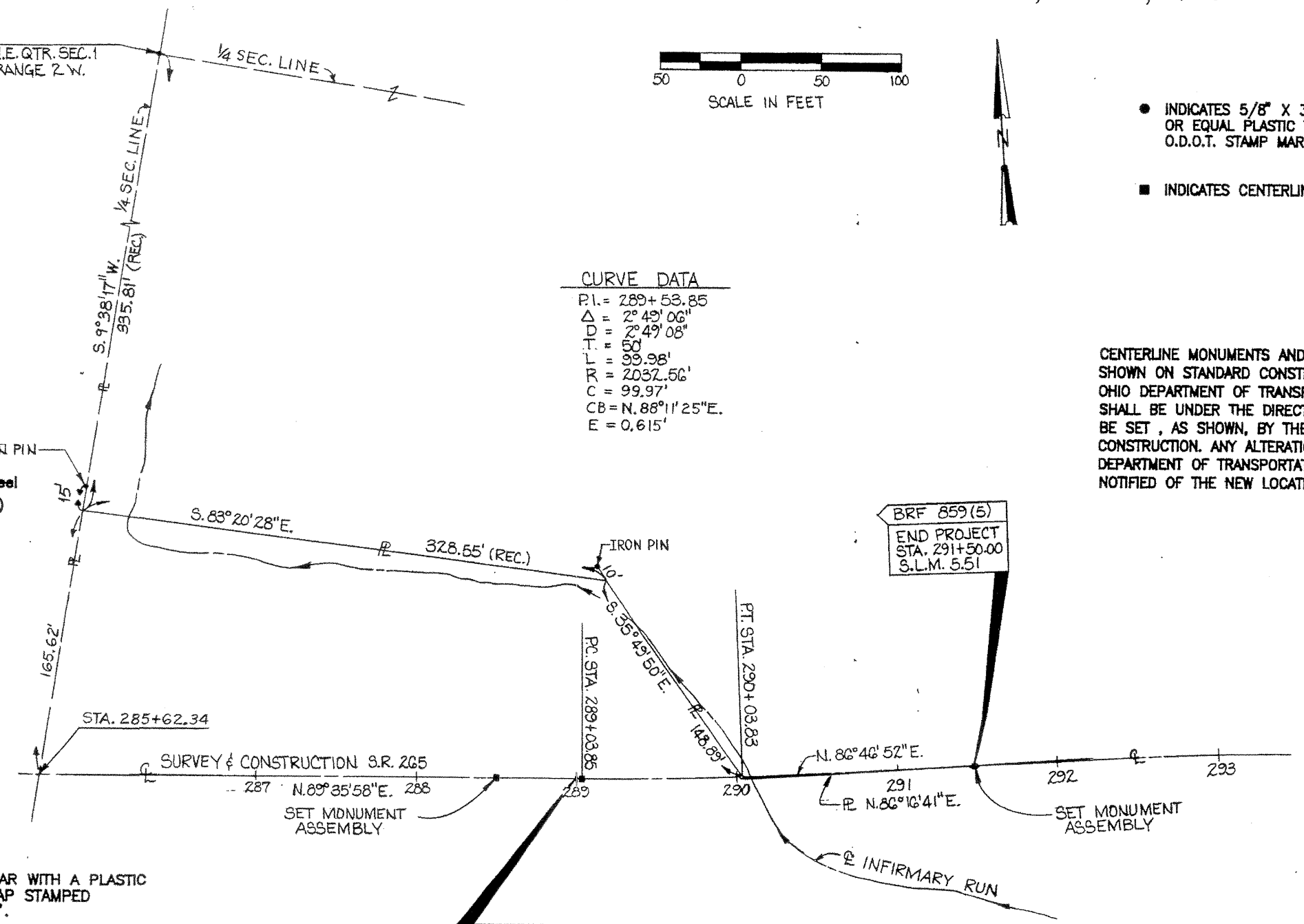
WEIGHTS:

Frame	66 lbs
Sleeve	37 lbs
Lid	31 lbs
Total	134 lbs



CURVE DATA

P.I.	= 289+53.85
Δ	= 2° 49' 06"
Δ	= 2° 49' 08"
H.D.	= 88
C	= 99.98'
TR	= 2032.56'
CB	= 99.97'
CB	= N. 88° 11' 25" E.
E	= 0.615'



- INDICATES 5/8" X 30" REBAR WITH MODEL 5000 PREMARK OR EQUAL PLASTIC YELLOW IDENTIFICATION CAP WITH PROJECTED O.D.O.T. STAMP MARK.
- INDICATES CENTERLINE MONUMENT LOCATIONS.

CENTERLINE MONUMENTS AND CENTERLINE REFERENCE MONUMENTS ARE SHOWN ON STANDARD CONSTRUCTION DRAWING MC-1 (REV 6-13-69) OF THE OHIO DEPARTMENT OF TRANSPORTATION. THE PLACING OF THE MONUMENTS SHALL BE UNDER THE DIRECTION OF A REGISTERED SURVEYOR AND ARE TO BE SET, AS SHOWN, BY THE HIGHWAY CONTRACTOR AT THE TIME OF CONSTRUCTION. ANY ALTERATIONS, WITH PRIOR APPROVAL OF THE DEPARTMENT OF TRANSPORTATION, SHALL BE NOTED AND O.D.O.T. SHALL BE NOTIFIED OF THE NEW LOCATIONS.

CENTERLINE MONUMENTS ARE TO BE SET DURING CONSTRUCTION AT THE FOLLOWING STATIONS AT A TOLERANCE OF ±0.02 FT.

GUE-265-5.47	
P.O.T. 288+50	1
P.C. 289+03.85	1
P.O.T. 291+50	1
TOTAL:	3

REFERENCE MONUMENTS ON R/W

289+90	40' RT.	1
290+15	50' LT.	1
TOTAL:		2

RIGHT-OF-WAY MONUMENTS () ARE TO BE PLACED ON THE RIGHT-OF-WAY AT THE FOLLOWING LOCATIONS BEFORE CONSTRUCTION BY STATE FORCES

GUE-265-5.47			
288+15	30' LT.	1	
288+45	40' LT.	1	
289+50	55' LT.	1	
289+80	75' LT.	1	
291+90	30' LT.	1	
289+45	40' RT.	1	
290+15	75' RT.	1	
291+90	30' RT.	1	
TOTAL:		9	

QUANTITIES CARRIED TO GENERAL SUMMARY

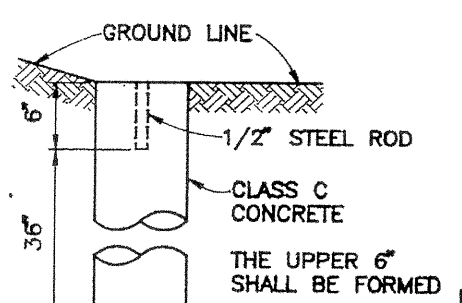
CERTIFICATION

DISTANCES SHOWN HEREON ARE EXPRESSED IN FEET AND DECIMAL PARTS THEREOF. MONUMENTS WERE FOUND OR SET AS INDICATED HEREON. BEARINGS SHOWN HEREON ARE TAKEN FROM THE SURVEY PLAT FOR ROSCOE T. VINCENT BY JOSEPH T. SPILKER, R.S. #S-5862, DATED FEBRUARY 5, 1992 & FILED IN VOLUME 373, PAGE 47, GUERNSEY COUNTY RECORDS. THE ROTATION ANGLE FROM RECORD BEARINGS TO PLAN BEARINGS IS 4° 43' 27" RIGHT. ALL OF WHICH I CERTIFY TO BE CORRECT.



Ralph C. Tyler 9-2-92
RALPH C. TYLER, PE., R.S.
REGISTERED SURVEYOR NO. 4236
STATE OF OHIO

BEARING ROTATION
RECORD: N. 81° 33' 14" E.
PLAN: N. 86° 16' 41" E.
4° 43' 27"



REFERENCE MONUMENT
SEE SHEET 9 OF 18 FOR REFERENCE POINTS.

RECEIVED 2/22, 19 96
RECORDED _____, 19 ____
BOOK CAB-3/449, 19 ____
COUNTY RECORDER

TYPE FUNDS: STATE

PLAN COMPLETED:	
REV. DATE	DESCRIPTION