

76993  
 GUERNSEY CO. RECORD OF DEEDS  
 VOL. 143 PAGE 931  
 RECORDED  
 96 NOV 26 PM 2:17  
 NOV 2 1996  
 EVIDENCE CHESAR  
 RECORDER 3/16/04  
 Cabinet 3, Sheet 453

# CENTERLINE SURVEY PLAT

## GUE-265-0.59

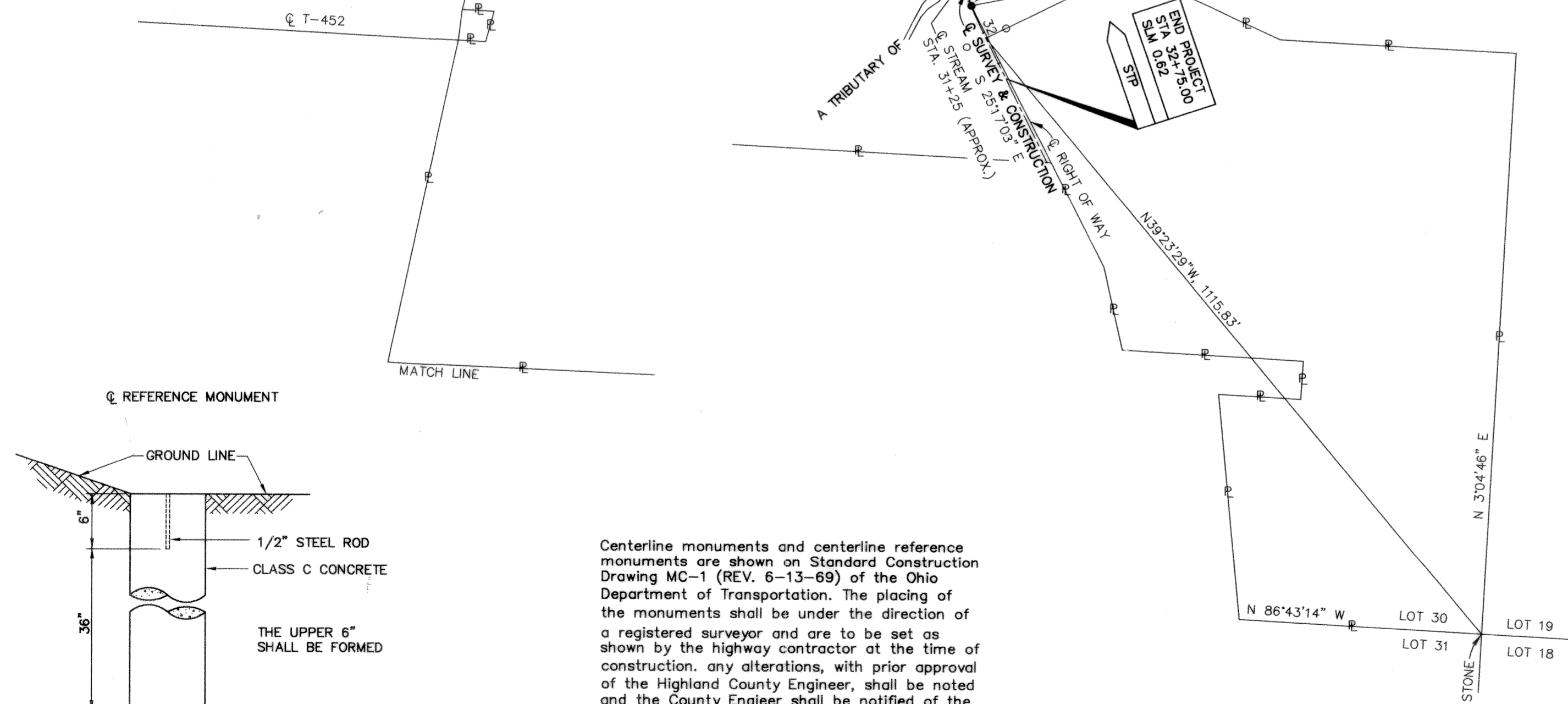
### CENTER TOWNSHIP GUERNSEY COUNTY, OHIO MILITARY LOT 30, TOWNSHIP 2, RANGE 2

NOT TO SCALE

CENTERLINE REFERENCE MONUMENTS (o) ARE TO BE SET AT THE FOLLOWING LOCATIONS DURING CONSTRUCTION

STATION	LEFT	RIGHT
PC STA. 28+44.21	30.00'	30.00'
PT STA. 32+08.73	32.28'	30.00'
TOTAL	2	2

- o INDICATES MONUMENTS TO BE SET UNDER THE SUPERVISION OF A REGISTERED SURVEYOR
- DENOTES PROPERTY IRON PINS FOUND AND USED TO ESTABLISH THE CENTERLINE OF RIGHT OF WAY

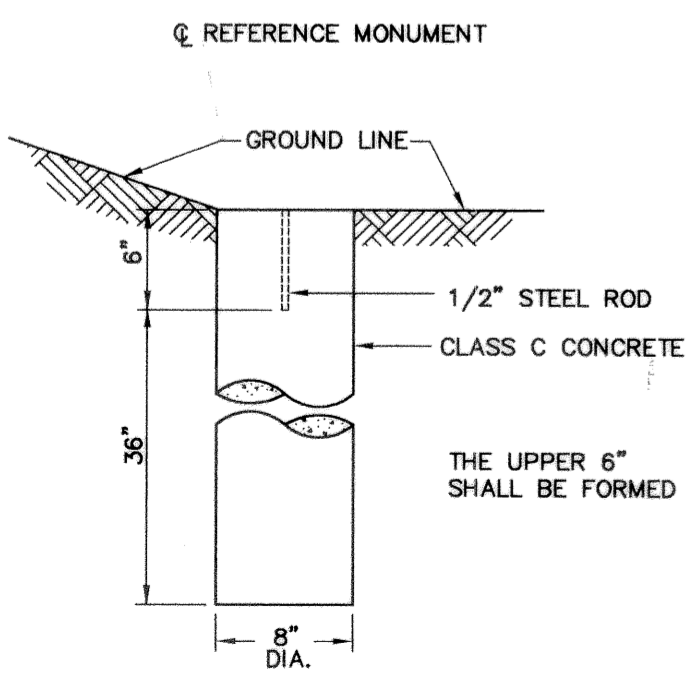
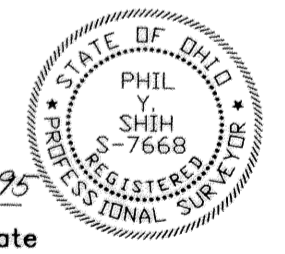


CURVE DATA

PI STA.	30+28.07
$\Delta$	18° 31' 06" LT
D	5° 04' 49"
R	1127.84
L	364.52
T	183.86
E	14.89'
PC STA.	28+44.21
PT STA.	32+08.73

I HEREBY CERTIFY THAT THIS PLAT IS A TRUE DELINEATION OF A SURVEY PERFORMED FOR THE OHIO DEPARTMENT OF TRANSPORTATION IN OCTOBER 1992 BY COLUMBUS ENGINEERING CONSULTANTS, INC.

*Phil Y. Shih* 6-6-95  
 Registered Surveyor No. S-7668 Date



Centerline monuments and centerline reference monuments are shown on Standard Construction Drawing MC-1 (REV. 6-13-69) of the Ohio Department of Transportation. The placing of the monuments shall be under the direction of a registered surveyor and are to be set as shown by the highway contractor at the time of construction. Any alterations, with prior approval of the Highland County Engineer, shall be noted and the County Engineer shall be notified of the new locations.

NOT TO SCALE

RECEIVED \_\_\_\_\_ AT \_\_\_\_\_  
 RECORDED \_\_\_\_\_ FILE No. \_\_\_\_\_  
 PLAT BOOK \_\_\_\_\_ PAGES \_\_\_\_\_  
 SIGNED \_\_\_\_\_ Recorder GUERNSEY COUNTY, OHIO

BASIS OF BEARINGS  
 DEED Vol. 366 Page 690

CENTERLINE SURVEY PLAT

GUE-265-0.59

1/3

18/20

SCALE IN FEET  
 100 50 0

FEDERAL project no. STP  
 P.I.D. 11663  
 STATE project no. 053850