

GUERNSEY CO. RECORD OF DEED
 VOL. 143 PAGE 437
 36 NOV 26 PM 2:21
 NOV 21 1992
 RECORDER
 Sheet 3, Slide 455

CENTERLINE SURVEY PLAT

GUE-821-0.10

VALLEY TOWNSHIP GUERNSEY COUNTY, OHIO SECTION 8 TOWNSHIP 8 N. RANGE. 9 W.

N

SCALE IN FEET
 100 50 0

FEDERAL Project No. NON-FEDERAL

STATE Project No. 053850

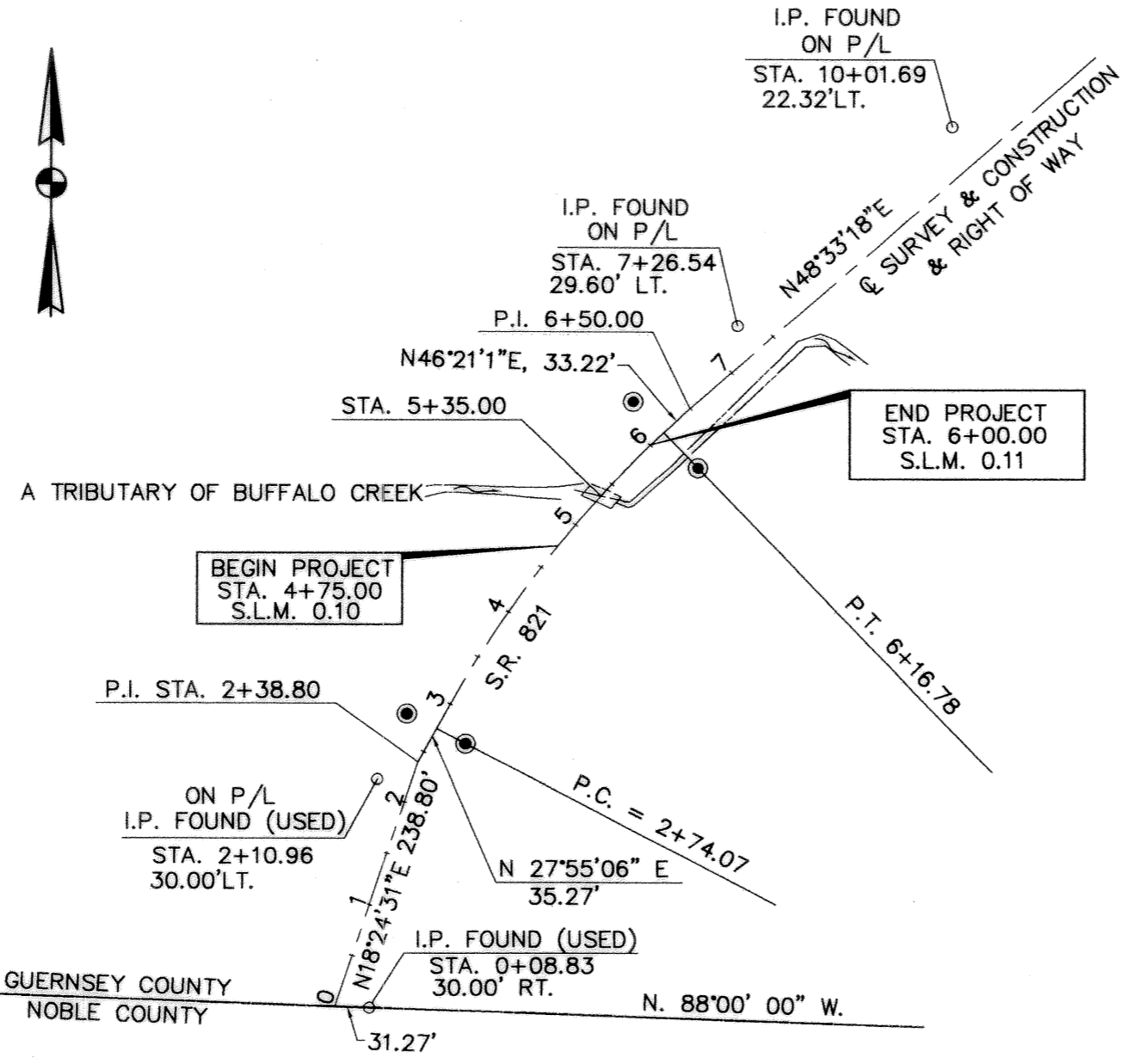
P.I.D. 11663

CENTERLINE SURVEY PLAT

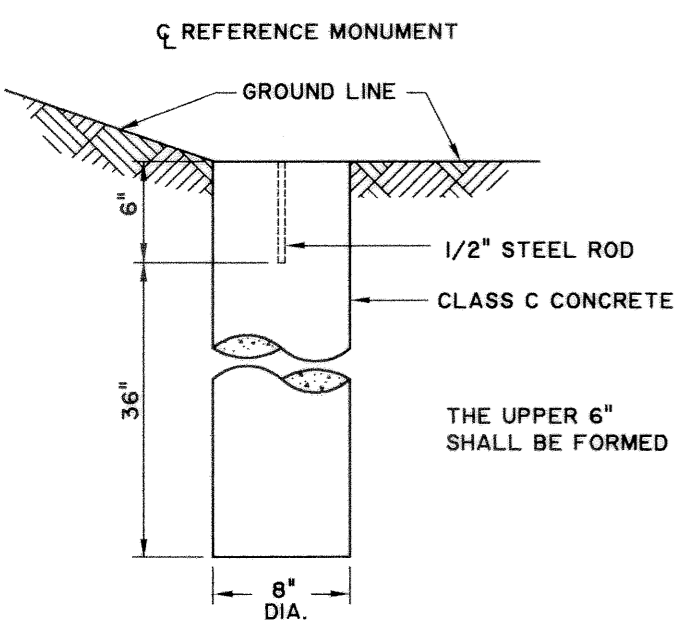
GUE-821-0.10

1/3

24/26



CURVE DATA	
PI	STA. 4+46.91
Δ	= 18° 25' 55"
D	= 5° 22' 42"
R	= 1065.33'
L	= 342.72'
T	= 172.85'
E	= 13.93'
PC	= STA 2+74.07
PT	STA = 6+16.78



Centerline monuments and centerline reference monuments are shown on Standard Construction Drawing MC-1 (REV. 6-13-69) of the Ohio Department of Transportation. The placing of the monuments shall be under the direction of a registered surveyor and are to be set as shown by the highway contractor at the time of construction. Any alterations, with prior approval of the Ohio Department of Transportation, District Right of Way Supervisor shall be noted, and the District Right of Way Supervisor shall be notified of the new locations.

CENTERLINE REFERENCE MONUMENTS (●) ARE TO BE SET AT THE FOLLOWING LOCATIONS DURING CONSTRUCTION		
STATION	LEFT	RIGHT
P.C. 2+74.07	30.00'	30.00'
P.T. 6+16.78	40.00'	45.00'
TOTAL	2	2

- DENOTES PROPERTY IRON PINS FOUND AND USED TO ESTABLISH THE CENTERLINE OF RIGHT OF WAY
- INDICATES MONUMENTS TO BE SET UNDER THE SUPERVISION OF A REGISTERED SURVEYOR

BASIS OF BEARINGS
 DEED Vol. 266 Page 994
 BEARING ON THE COUNTY LINE
 BEING S. 88°00' 00" E.

I HEREBY CERTIFY THAT THIS PLAT IS A TRUE DELINEATION OF A SURVEY PERFORMED FOR THE OHIO DEPARTMENT OF TRANSPORTATION IN OCTOBER 1992 BY

COLUMBUS ENGINEERING CONSULTANTS, INC.
Phil Y. Shih 4-11-96
 Registered Surveyor No. S-7668 Date
 Phil Y. Shih



RECEIVED _____ AT _____
 RECORDED _____ FILE No. _____
 PLAT BOOK _____ PAGES _____
 SIGNED _____ RECORDER _____
 GUERNSEY COUNTY, OHIO

NOT TO SCALE