

THE PROPOSED RIGHT OF WAY SHALL BE REFERENCED FROM THE CENTERLINE.

ADJUSTABLE CENTERLINE MONUMENTS, REFERENCE MONUMENTS AND RIGHT OF WAY MONUMENTS ARE SHOWN ON STANDARD CONSTRUCTION DRAWING RM 1.1M (REV. 6-30-95) OF THE OHIO DEPARTMENT OF TRANSPORTATION. THE PLACING OF THE MONUMENTS SHALL BE UNDER THE DIRECTION OF A REGISTERED SURVEYOR AND ARE TO BE SET, AS SHOWN BY THE HIGHWAY CONTRACTOR AT THE TIME OF CONSTRUCTION. ANY ALTERATIONS, SHALL BE NOTED AND O.D.O.T. SHALL BE NOTIFIED OF THE NEW LOCATIONS.

NOTE: REFERENCE MONUMENTS SHALL HAVE A PLASTIC CAP STAMPED O.D.O.T. PLACED OVER THE 12.7mm Ø STEEL ROD.

# CENTERLINE SURVEY PLAT

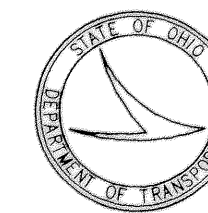
## GUE-265-18.150 (11.28)

### MILLWOOD TOWNSHIP

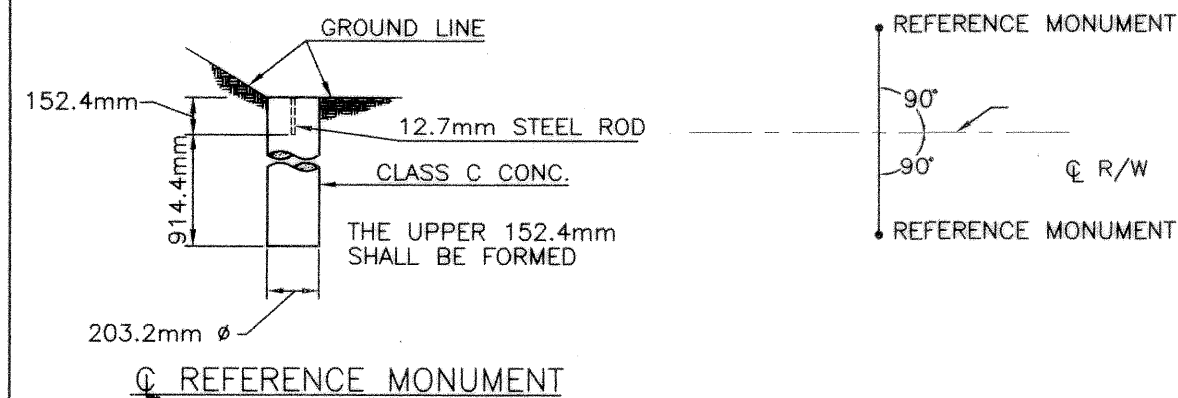
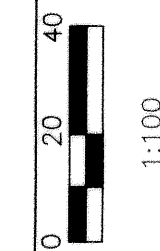
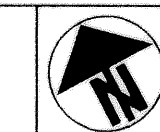
### GUERNSEY COUNTY

#### SECTION 10, R-1, T-9

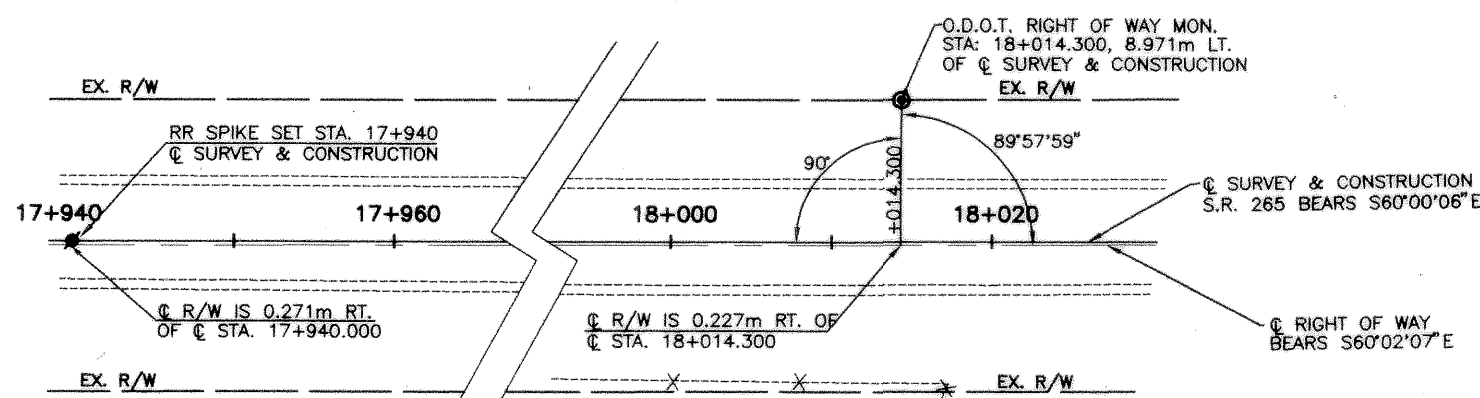
#### SECTION 32, R-7, T-9



metric  
units



MONUMENTS TO BE SET DURING CONSTRUCTION			
STATION	LEFT	RIGHT	
POT STA. 17+940.000	8.874m	9.414m	
POT STA. 18+400.000	9.144m	9.144m	
TOTAL	2	2	



CENTERLINE RIGHT OF WAY & CENTERLINE OF SURVEY & CONSTRUCTION TIE DETAIL

EX. O.D.O.T. RIGHT-OF-WAY MONUMENT 8.917M LT. OF STA. 18+014.300 Q SURVEY AND CONSTRUCTION S.R. 265

REFERENCE MONUMENT  
17+940  
REFERENCE MONUMENT

BEGIN WORK  
STA. 18+070.000  
STA. 592+84.78

BEGIN ACQUISITION  
STA. 18+080.000  
STA. 593+17.59

BEGIN PROJECT  
STA. 18+150.000  
STA. 595+47.24

END PROJECT  
STA. 18+200.000  
STA. 597+11.29

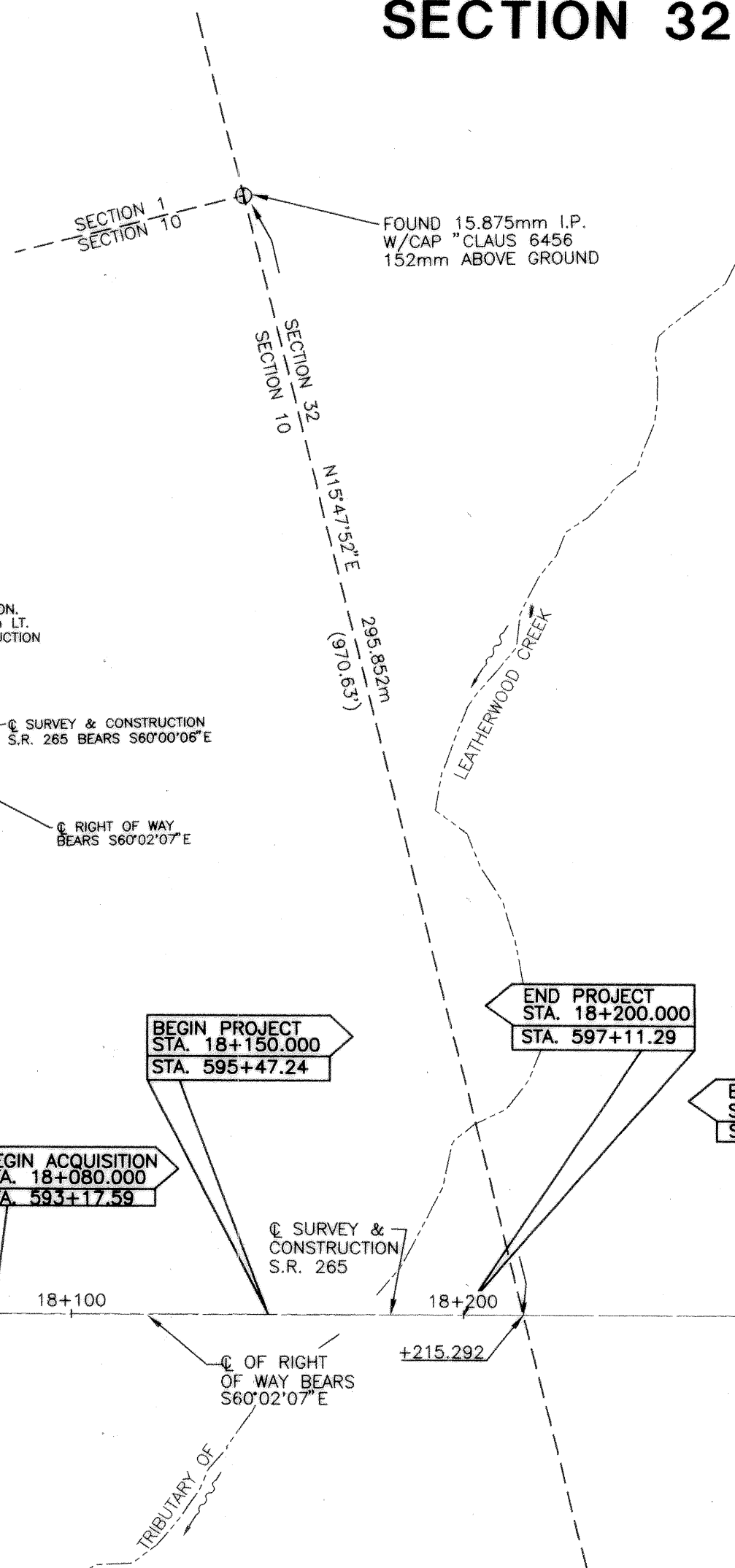
END ACQUISITION  
STA. 18+280.000  
STA. 599+73.75

END WORK  
STA. 18+280.000  
STA. 599+73.75

Q SURVEY & CONSTRUCTION S.R. 265

Q OF RIGHT OF WAY BEARS S60°02'07"E

REFERENCE MONUMENT  
18+400  
REFERENCE MONUMENT

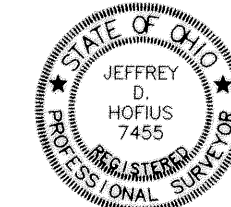


FOUND 15.875mm I.P. W/CAP "CLAUS 6456" 152mm ABOVE GROUND

I HEREBY CERTIFY THAT THIS PLAT IS A TRUE DELINEATION OF A SURVEY MADE FOR THE OHIO DEPARTMENT OF TRANSPORTATION IN DECEMBER 1996 BY XYZ SURVEY SERVICE

THE ESTABLISHMENT OF THE PROPERTY LINES AND EXISTING RIGHT OF WAY LINES SHOWN ON THIS PLAN AS OF THIS DATE WAS PERFORMED BY ME OR UNDER MY DIRECT SUPERVISION.

BY: *Jeffrey D. Hofius* DATE: 3/17/98  
OHIO REGISTERED SURVEYOR NO.: 7455



LEGEND

- PROPOSED R/W MONUMENTS
- ⊙ O.D.O.T. RIGHT-OF-WAY MON.
- ⊕ IRON PIN WITH CAP FOUND
- IRON PIN SET WITH CAP
- ⚡ RAILROAD SPIKE SET

NOTE: THE EXISTING R/W WIDTH AND LOCATION WAS DETERMINED USING I.C.H. #107 SEC. "H" RIGHT OF WAY PLANS.

BASIS OF BEARINGS

BASIS OF BEARINGS WAS TAKEN FROM A SURVEY OF S.R. 265 PERFORMED IN DECEMBER 1996 BY XYZ SURVEY SERVICE

NOTE: IN CASE OF DISCREPANCY BETWEEN METRIC AND ENGLISH EQUIVALENTS, THE METRIC VALUES SHALL TAKE PRECEDENCE.

RECEIVED \_\_\_\_\_, 19\_\_\_\_  
RECORDED \_\_\_\_\_, 19\_\_\_\_  
BOOK \_\_\_\_\_ PAGE \_\_\_\_\_  
BY: \_\_\_\_\_  
COUNTY RECORDER

PID NO. 12921

STATE JOB NO. 05411 (0)

CENTERLINE SURVEY PLAT

GUE-265-18.150

1 / 5

23  
27

9900002260  
Filed for Record in  
GUERNSEY COUNTY, OHIO  
COLLEEN WHEATLEY  
On 04-05-1999 At 12:02 pm.  
PLAT 20.00  
Book DR Vol. 212 Pg. 529 - 529

01/10/98  
93068 93068RCA